

**ACS**  
VALVES

## QUICK-CLEAN VALVE

# A Clean Break for Cannabis

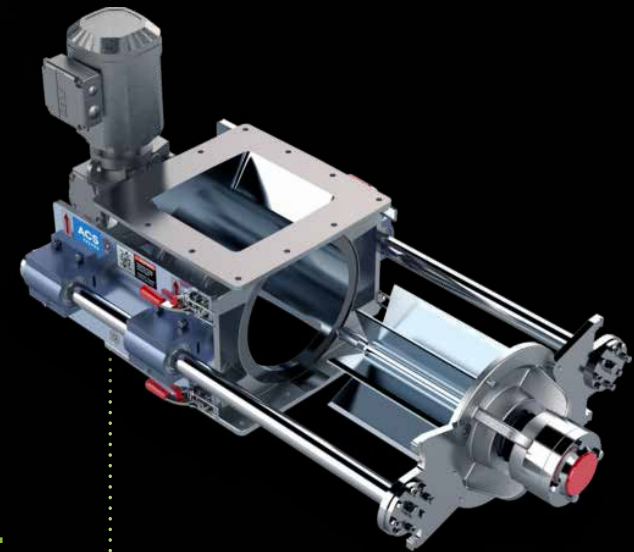
Cannabis processing naturally creates an oily, sticky environment in your rotary airlock valve. A Quick-Clean Valve on RotorRails provides one-step access to the valve's internals, and coatings help material flow smoothly. For you, that means infinitely faster cleaning and efficient conveying.



**Configure your valve for cannabis.**  
[acsvalves.com/hemp](https://acsvalves.com/hemp)

### FEATURES

- Rail system for easy access
- Square or round flange
- CNC-machined components
- Standard: Cast iron
- Sanitary: 304 or 316 stainless-steel

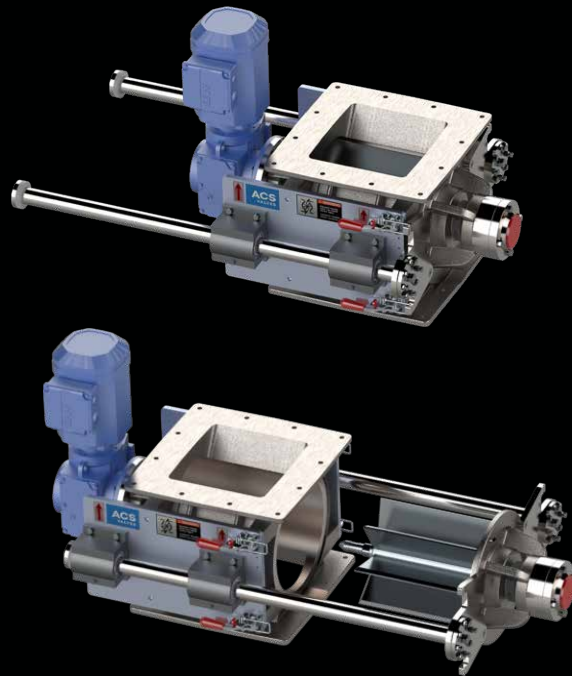


SANITARY CI WITH  
QUICK-CLEAN ROTORRAIL™

# Quicker, Cleaner Options

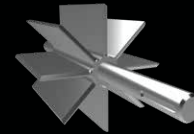
## RAIL SYSTEM

The Quick-Clean is built on rails, which makes it simple to open up the valve without tools, inspect it, and clean off any oil or material buildup inside. Then just close it up and keep production moving.



## ROTOR TYPES

Configure your valve with a rotor designed for your application. Choose from our suite of CNC-machined rotors for added efficiency and longevity.



Radius  
Pocket  
Rotor

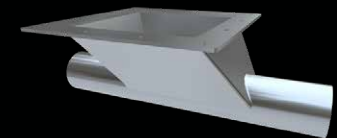


Closed  
End  
Rotor

## ACCESSORIES

### THE MISSING PIECES.

- Blow-through adapter
- Shear protector
- Speed switch assembly
- Coating options



Discharge  
Blow-Through  
Adapter

**ACS**  
VALVES