

**ACS**  
VALVES

## QUICK-CLEAN VALVE

# Power Up for Pet Food

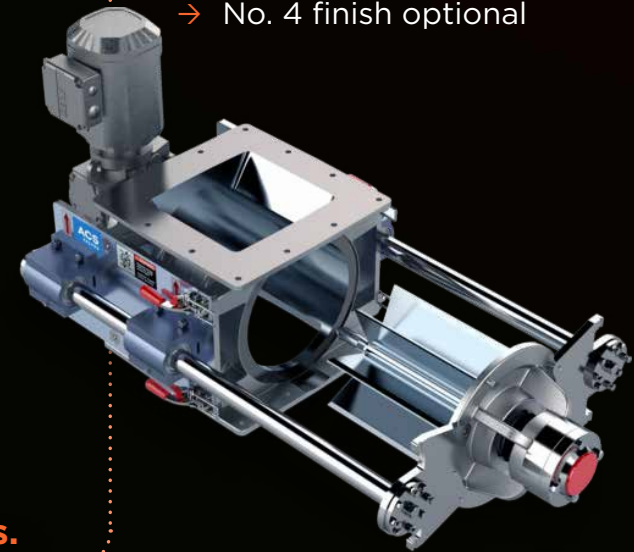
Kibbles, pellets, powders and nibbles – there’s always something new in the pet food rotation. The Quick-Clean Valve on RotorRails makes it easy to switch gears with one-step internal access (no tools required). Clean up in minutes and keep production going, no problem.



**Configure your valve for pet foods.**  
[acsvalves.com/petfood](https://acsvalves.com/petfood)

### FEATURES

- Rail system for easy access
- Square or round flange
- CNC-machined components
- Standard: Cast iron
- Sanitary: 304 or 316 stainless-steel
- No. 4 finish optional

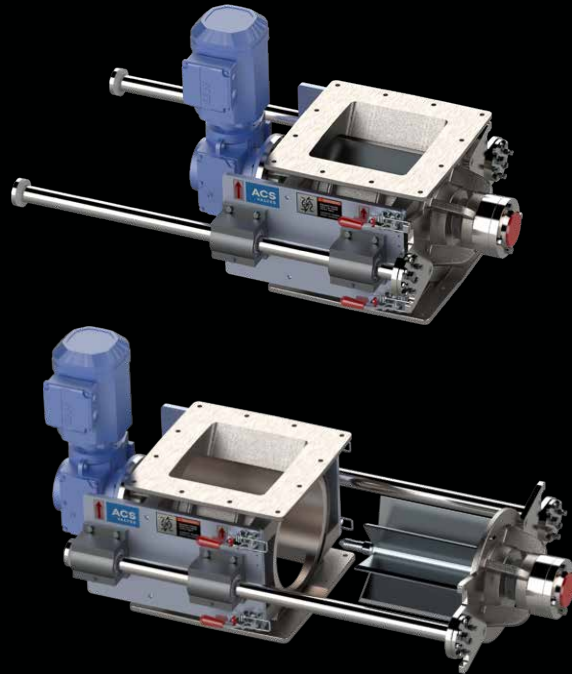


SANITARY CI WITH  
QUICK-CLEAN ROTORRAIL™

# Swappable Options

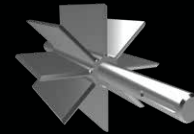
## RAIL SYSTEM

The Quick-Clean is built on rails, which makes it simple to open up the valve without tools, inspect it, and clean off any oil or material buildup inside. Then just close it up and keep production moving.



## ROTOR TYPES

Configure your valve with a rotor designed for your application. Choose from our suite of CNC-machined rotors for added efficiency and longevity.



Radius  
Pocket  
Rotor

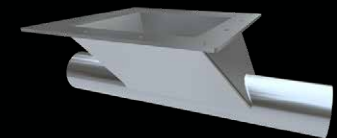


Closed  
End  
Rotor

## ACCESSORIES

### THE MISSING PIECES.

- Blow-through adapter
- Shear protector
- Speed switch assembly
- Coating options



Discharge  
Blow-Through  
Adapter

**ACS**  
VALVES